

ADMIRAL



Item# F-ADMRL

The Admiral Pool Lift, new to the Pro Pool Series lifts maintains many of the same benefits of the Pro Pool Lift, along with new features. Its field reversible feature allows you to change the direction of the seat on site, allowing you left or right entry into the pool. The new adjustable base plate provides additional flexibility in pools with clearance issues.

The Admiral is UL Certified, offers a 450 pound weight capacity and comes standard with an adjustable seat arm providing an additional 6" of adjustment, making lateral transfers from higher wheelchairs easier.

The Admiral is available with the same color options, solar charging station, anchoring systems, and accessories as the Pro Pool Series lifts.



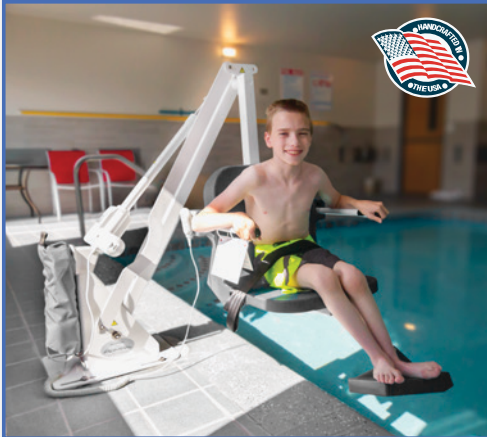
U.S. Patent No.
D507,769S

ACCENT COLORS

Available in a variety of accent and powder coat colors



*Blue seat standard (not a powder coat option)



FEATURES:

- UL certified
- 450 lb (204 kg) weight capacity
- Setback range 14.5" - 19" (37 - 48 cm)
- Field Reversible
- Adjustable base plate
- All stainless steel construction
- Durable powder coat finish
- Flip-up armrests
- Adjustable footrest & lap belt
- Water resistant handset
- Rechargeable battery with wall mount charger
- Five year pro-rated electronics warranty
- Five year structural warranty

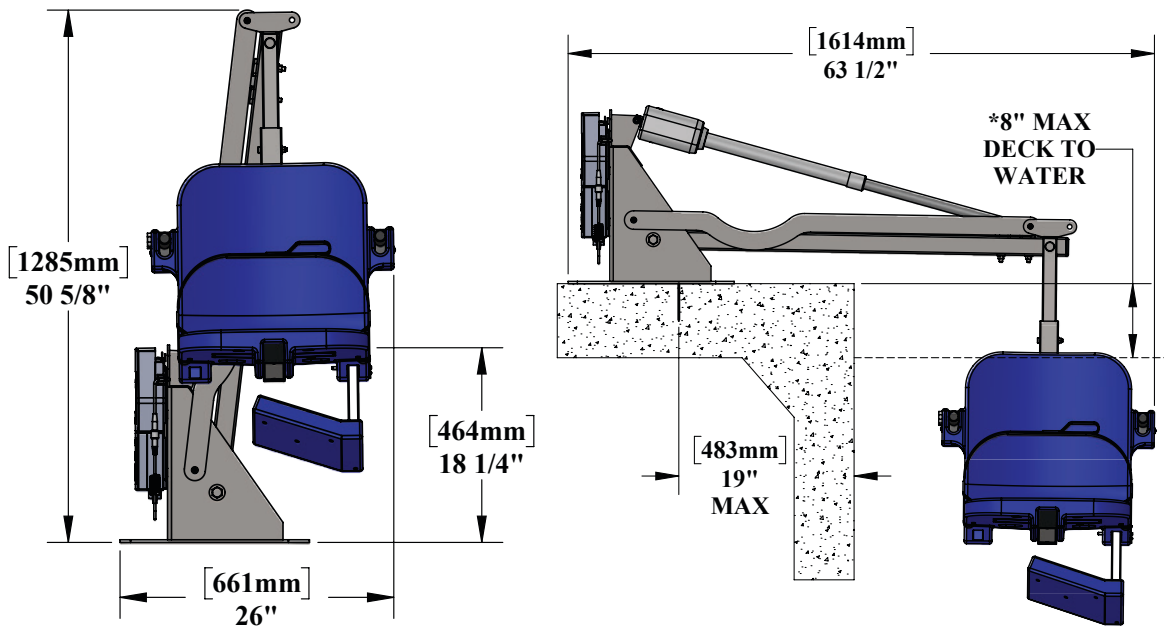
OPTIONS/ACCESSORIES:

F-04CAJP	Anchor kit, standard with 4" inserts
F-08CAJP	Anchor kit, standard with 8" inserts for use with pavers
F-046QAB-AT1	Anchor kit, quick attach with 4" inserts
F-40220-AT1	Anchor kit, wood deck applications
F-120PPC	Cover, standard lockable, blue
F-120PPC-G	Cover, standard lockable, gray
F-120PPC-T	Cover, standard lockable, tan
F-019CA	Cycle attachment
F-422PLH-2	Headrest
F-105LAR	Pull-out leg rest
F-044SCH	Solar charging station
F-428HT	Transport cart

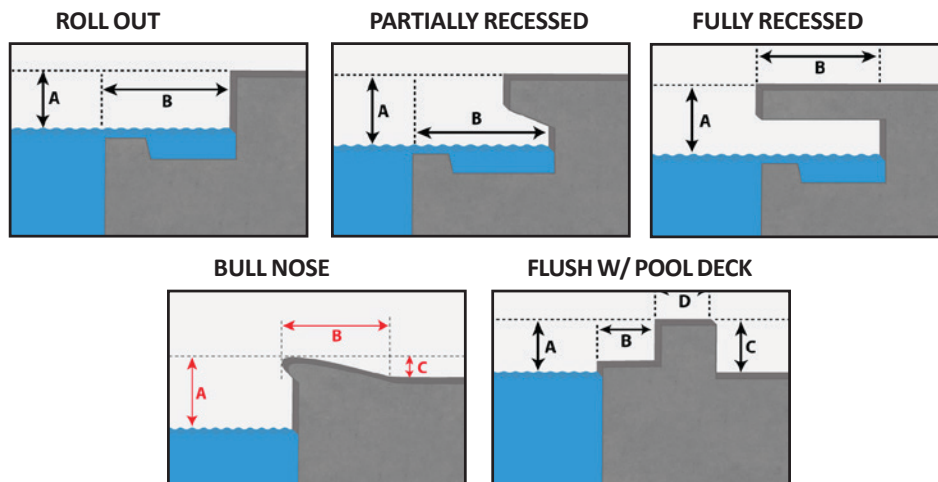
PROUDLY SOLD BY:

THE ADMIRAL POOL LIFT

PRODUCT SPECIFICATIONS



APPLICABLE POOL PROFILES



To confirm specific application go to www.aquacreek.com for our Pool Lift Selector
Become a member of our new Dealer and Architect page. Access to CAD blocks,
CSI specs and sales materials.